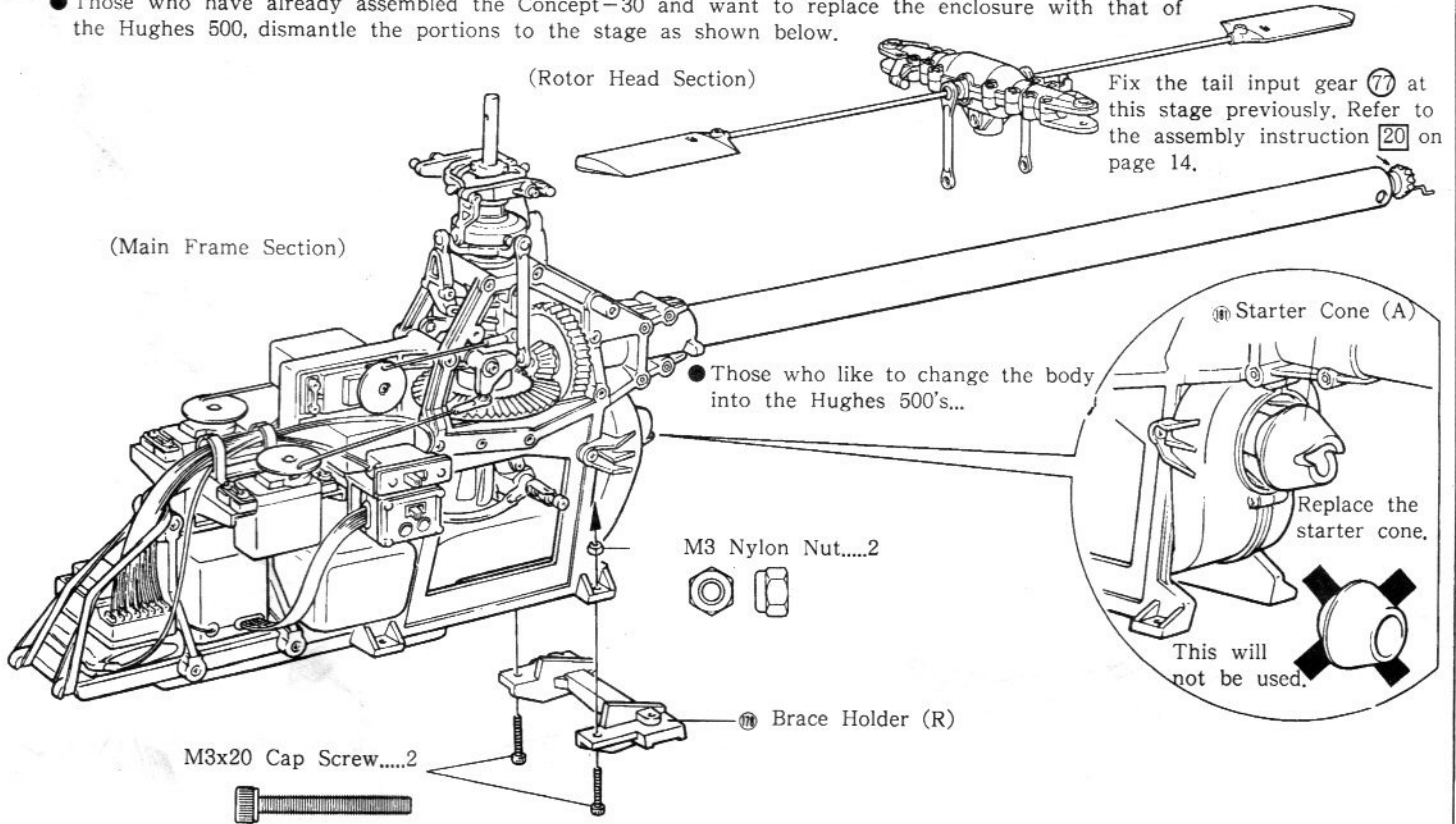


ASSEMBLY INSTRUCTION FOR NO.4096 HUGHES 500 KIT & H3214 BODY SET

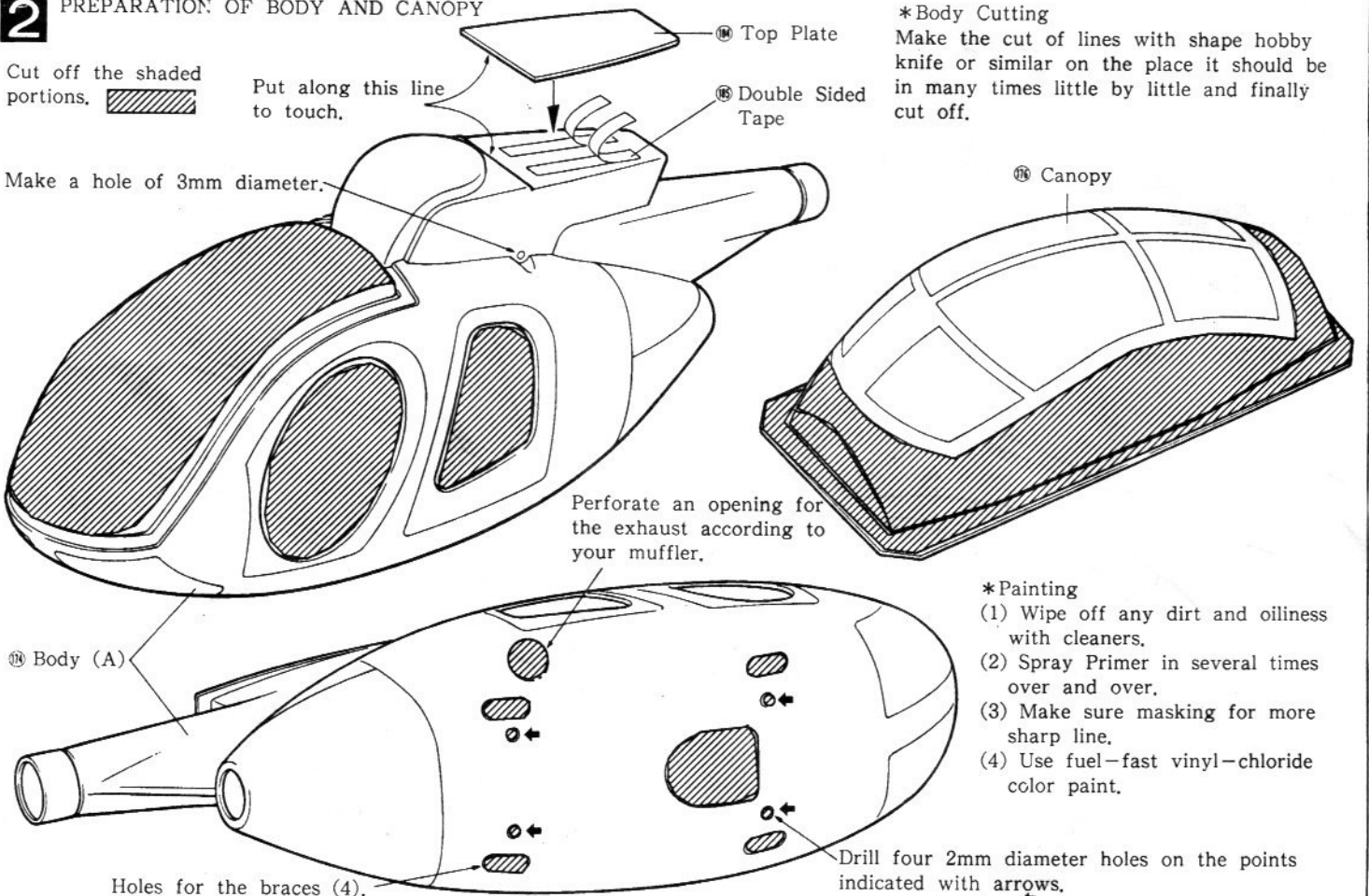
NO.4096
(H3214)

- Assemble the major portion referring to the assembly instruction for the Concept-30.
- Follow this instruction for assembling any sections, like the enclosure, which are different from those of the Concept-30.

- 1**
- Those who assemble this Hughes 500 kit for the first time, assemble the kit to the stage as shown below according to the instruction for the Concept-30.
 - Those who have already assembled the Concept-30 and want to replace the enclosure with that of the Hughes 500, dismantle the portions to the stage as shown below.

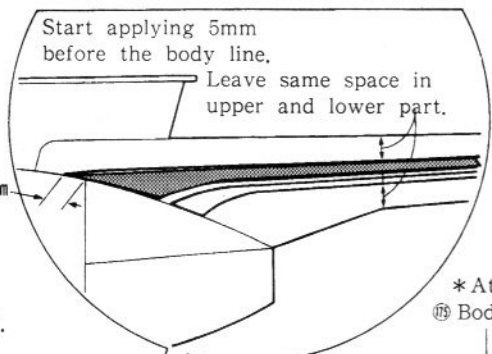


2 PREPARATION OF BODY AND CANOPY

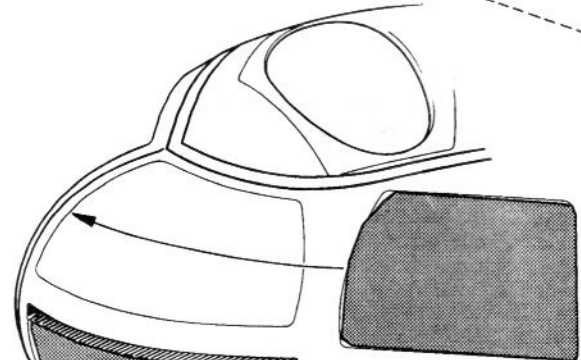
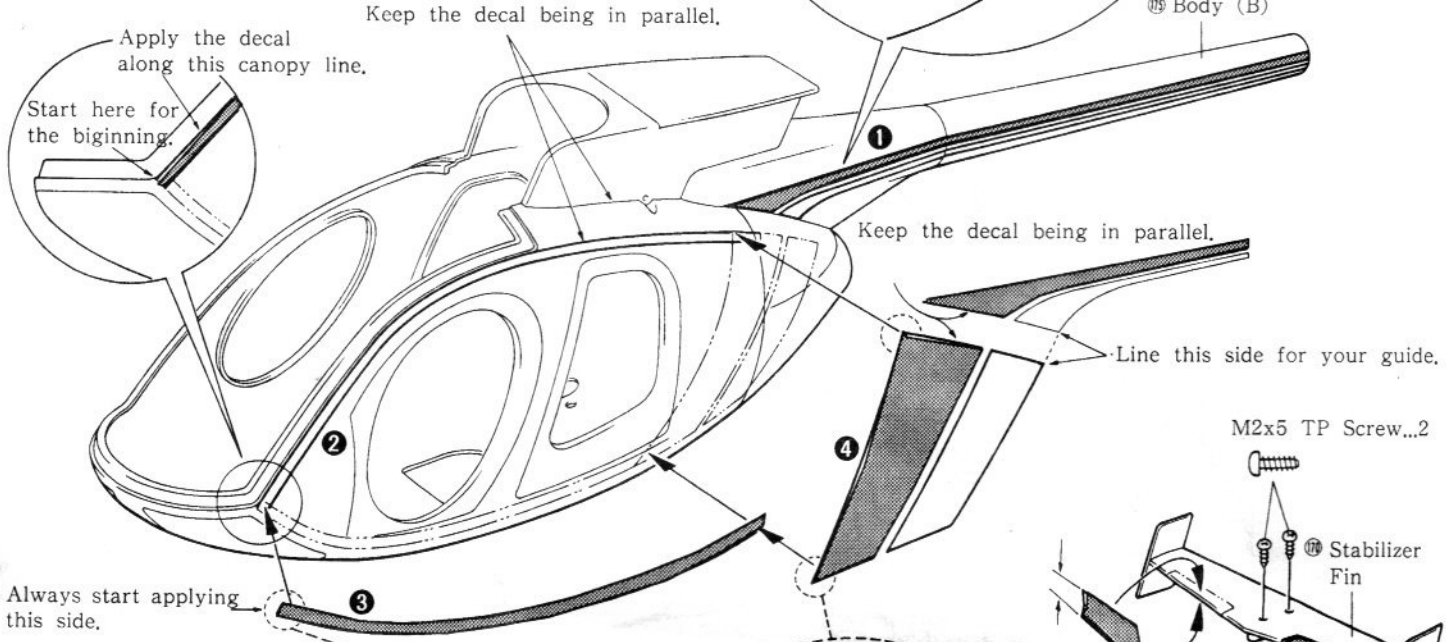


3 APPLYING DECALS

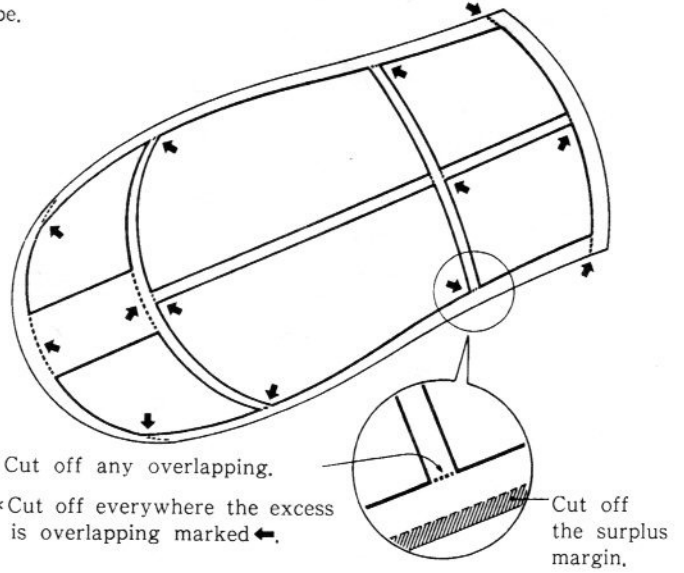
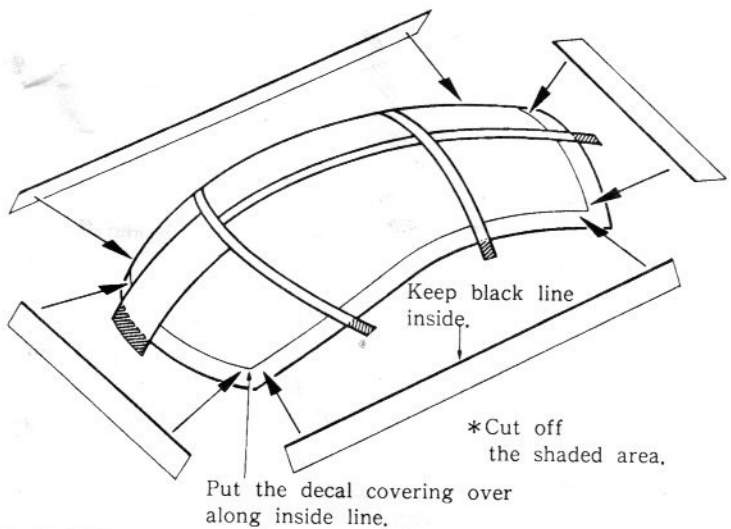
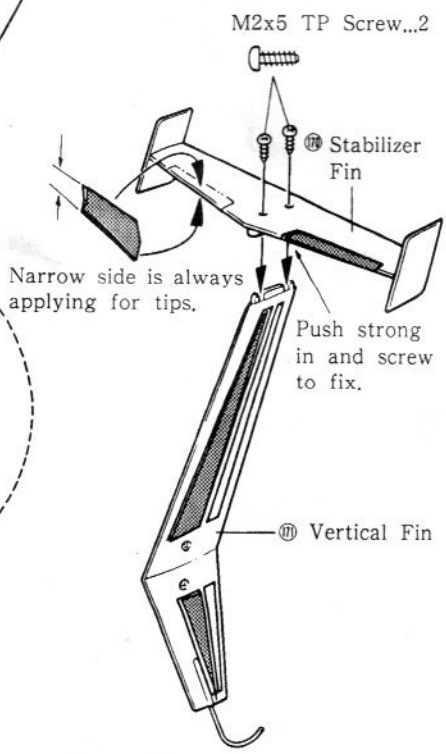
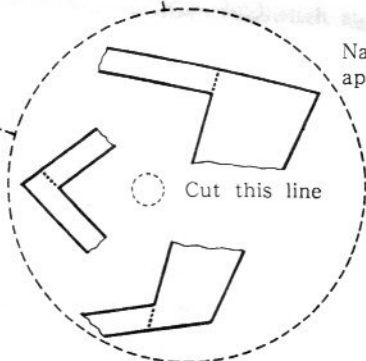
- *The decals in this kit is of stretch material made for such curved surfaces.
- *Large decal.....Apply the decal with stretching a little bit along curved surfaces.
- *Long, narrow decal.....Put the decals on exactly the place it should be with no stretching certainly little by little.
- *Apply all the decals in the manner ① to ④.



* Attach once for decals, (B) Body (B)



- *This is the exception for applying long and narrow decals. So it requires stretching at applying.
- *This comes a little bit bigger in the kit so cut off if the excess will be.



4 MOUNTING OF BODY

M3 Nylon Nut...2



Ⓜ Brace (R)

M3x4 Set Screw...4

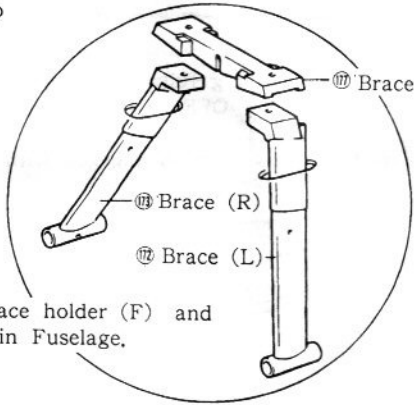


Ⓜ Brace Holder (F)

Ⓜ Skid

Ⓜ Brace (L)

Ⓜ Skid Cap



Assemble Brace holder (F) and Brace within Fuselage.

M3x8 Cap Screw...2



M3x20 Cap Screw...4



M2x5TP Screw...6



Ⓜ Body (B)

Cut off the shaded area.



5 ASSEMBLY OF TAIL GEAR BOX AND INSTALLATION OF VERTICAL FIN

*For general idea of assembling Tail Gear Box and Tail Blade, please refer to standard Concept 30 instruction manuals in a separate volume.

*Check if Tail Drive Shaft urely jointed with Tail Drive Coupling before this step.

M3 Nylon Nut...2



Ⓜ Vertical Fin

M3x30 Cap Screw...2



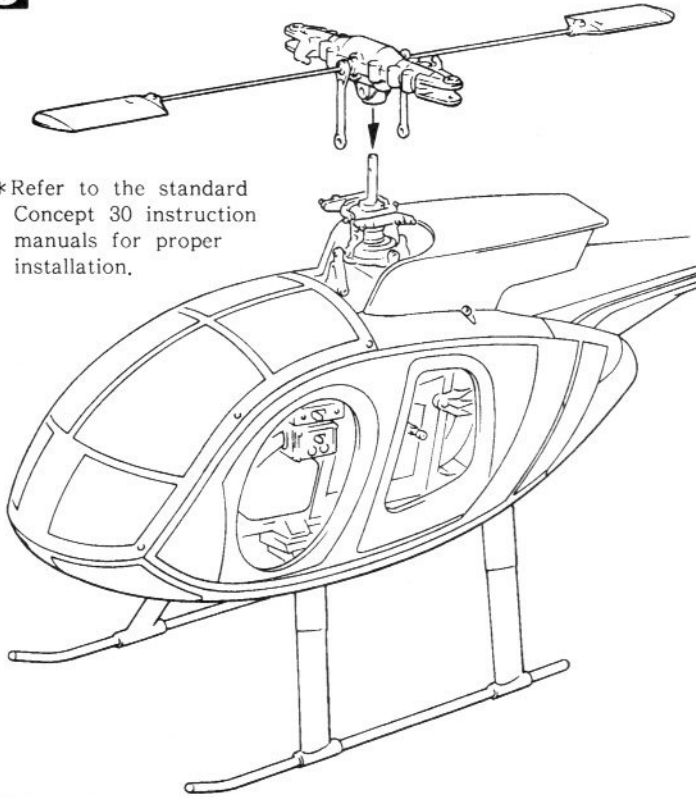
Ⓜ Tail Pitch Lever

Ⓜ Lever Bush (A)

2 φ x6 Washer

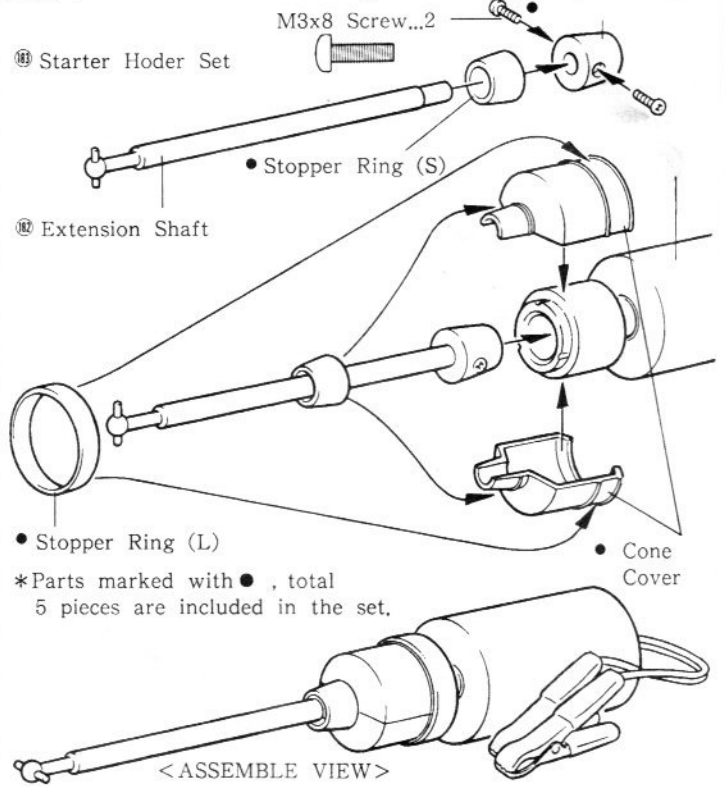
M2x12 Cap Screw

6 INSTALLATION OF MAIN ROTOR HEAD



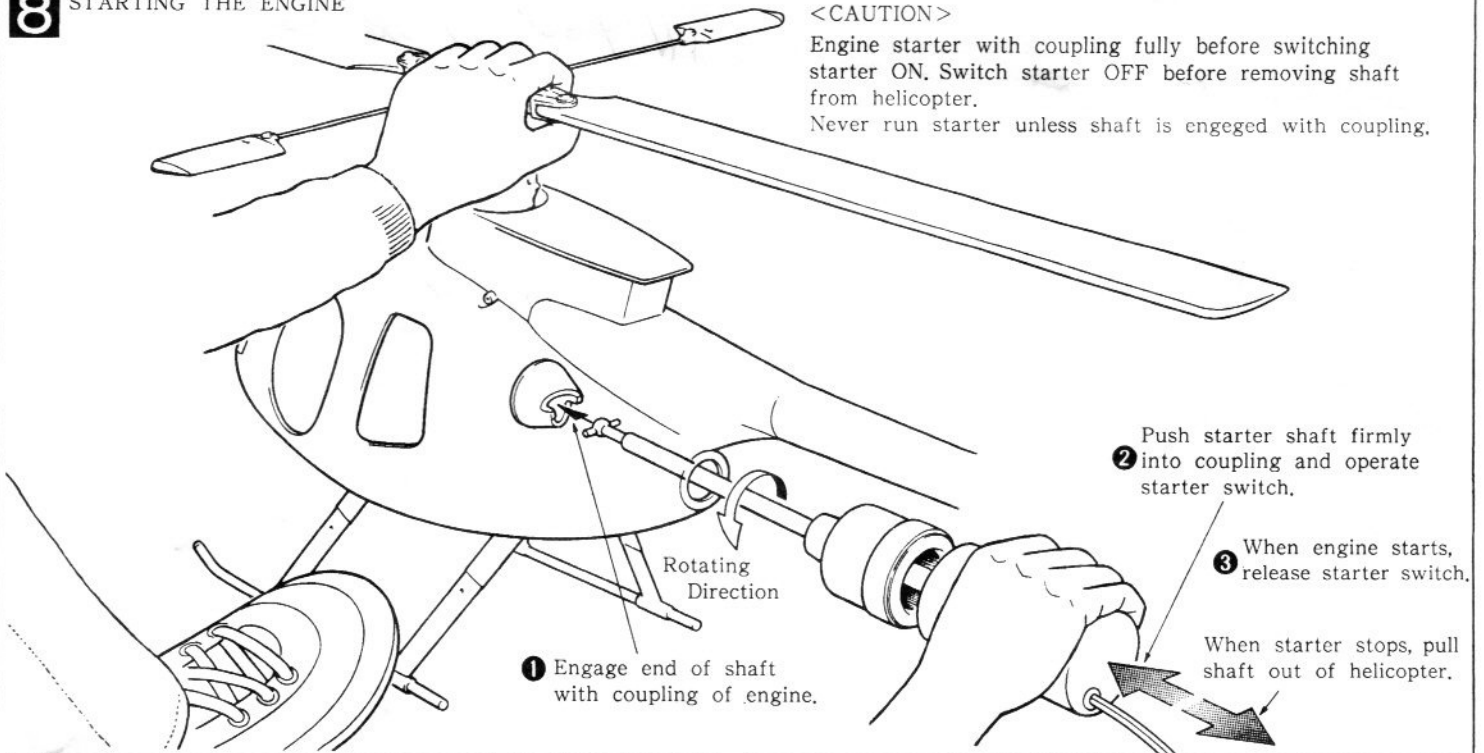
*Refer to the standard Concept 30 instruction manuals for proper installation.

7 ASSEMBLY OF EXTENSION SHAFT (Not included in H3214 Hughes 500 Body Set.)



*Parts marked with ●, total 5 pieces are included in the set.

8 STARTING THE ENGINE



<CAUTION>

Engine starter with coupling fully before switching starter ON. Switch starter OFF before removing shaft from helicopter.
Never run starter unless shaft is engaged with coupling.

Parts List

Key	Description	Q'ty	Key	Description	Q'ty
⑩	Stabilizer Fin	1	⑩	Starter Cone (A)	1
⑪	Vertical Fin	1	⑪	Extension Shaft	1
⑫	Brace (L)	2	⑫	Starter Holder Set	1
⑬	Brace (R)	2	⑬	Stopper Ring (S)	1
⑭	Body (A)	1	⑭	Stopper Ring (L)	1
⑮	Body (B)	1	⑮	Starter Cone (B)	1
⑯	Canopy	1	⑯	Cone cover	2
⑰	Brace Holder (F)	1	187	Starter Cone	1
⑱	Brace Holder (R)	1	⑱	Top Plate	1
⑲	Skid	2	⑲	Double Sided Tape	1
⑳	Skid Cap	4	⑳	Decal	1
			188	Aluminum Collar	1

Spare Parts List

NO.	Description	Key No.
H-3215	Extension Shaft Set	⑩×1 ⑪×1
H-3216	Starter Cone	⑩×1
H-3074	Main Rotor Kit	
H-3087	Tail Wing (Hughes 500)	⑭ ⑮×1
H-3088	Body (A) (")	⑭ ⑮×1
H-3089	Body (B) (")	⑮×1
H-3090	Canopy (")	⑯×1
H-3091	Brace (")	⑰ ⑱×2
H-3092	Brace Holder (")	⑱ ⑲×1
H-3093	Skid (")	⑲×2 ⑳×4
H-3094	Decal Set (")	⑳×1